

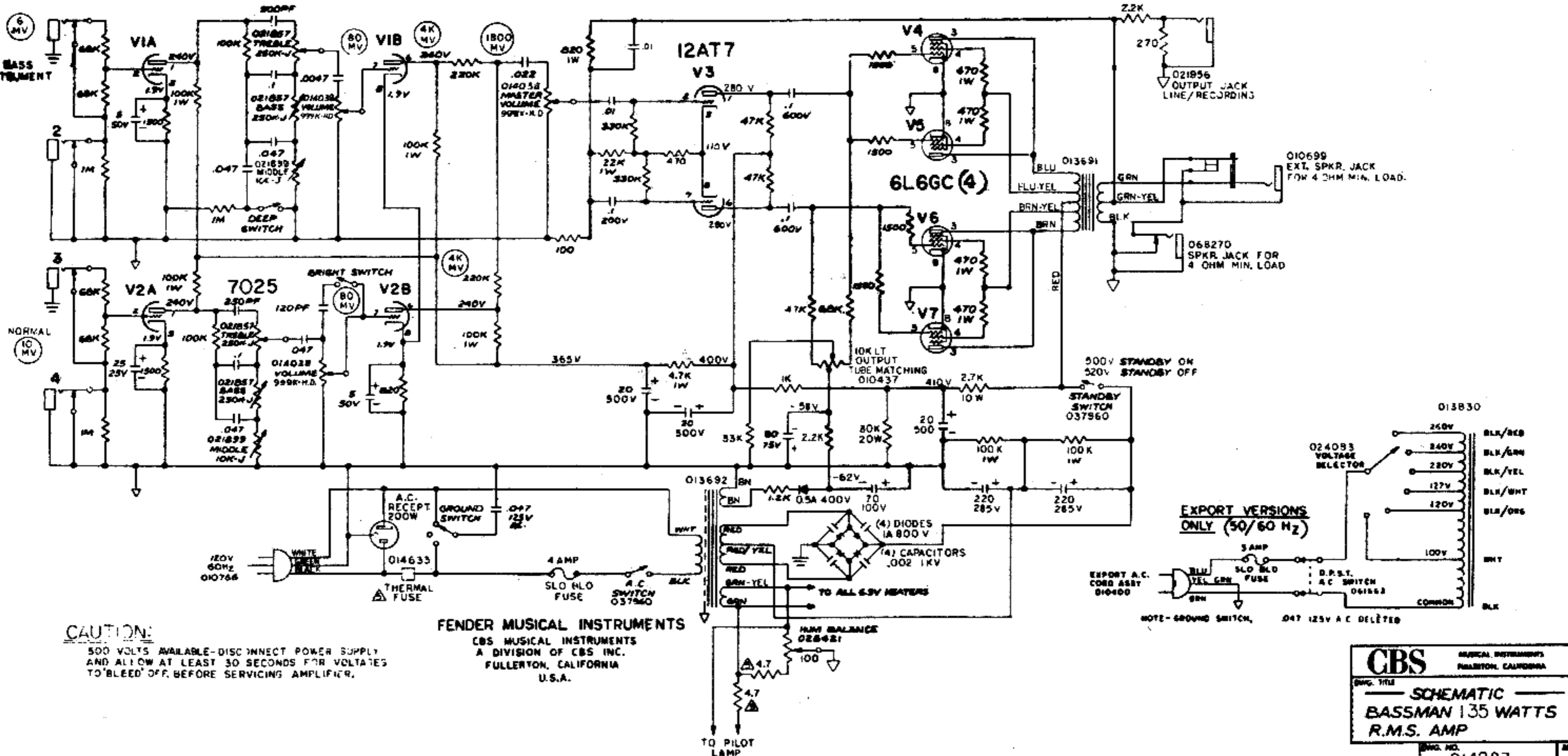
BASSMAN 135

THIS PRODUCT MANUFACTURED UNDER ONE OR MORE OF THE FOLLOWING U.S. PATENTS: #281775, #2973681, #192559 AND PATENTS PENDING.

NOTES:

1. VOLTAGES READ TO GROUND WITH V.T.V.M.
2. ALL RESISTORS 1/2 WATT 10% TOLERANCE IF NOT SPECIFIED.
3. ALL CAPACITORS ARE AT LEAST 50V RATING IF NOT SPECIFIED.
4. (MV) ARE AC VOLTAGES, FOR TEST ASSISTANCE. DENOTES TYPICAL 100Hz SIGNAL REQUIRED TO PRODUCE 10 WATTS OUTPUT WITH ALL CONTROLS SET TO MAXIMUM.
5. USES IN SOME VERSIONS.

7025



CAUTION:
500 VOLTS AVAILABLE—DISCONNECT POWER SUPPLY AND ALLOW AT LEAST 30 SECONDS FOR VOLTAGES TO BLEED OFF, BEFORE SERVICING AMPLIFIER.

FENDER MUSICAL INSTRUMENTS
CBS MUSICAL INSTRUMENTS
A DIVISION OF CBS INC.
FULLERTON, CALIFORNIA
U.S.A.

CBS MUSICAL INSTRUMENTS
FULLERTON, CALIFORNIA

ENG. TITLE
SCHMATIC

**BASSMAN 135 WATTS
R.M.S. AMP**

ENG. NO. **014283**

REV **1**

1. 2 - SAMPLES OF FIRST ARTICLE PARTS MUST BE APPROVED BY CBS R/D DEPT. BEFORE STARTING PRODUCTION.
NOTES: UNLESS OTHERWISE SPECIFIED